

SUPPLEMENTAL OPERATION & SAFETY

**Supplemental
Manual**
for
**Authorized &
Trained Studio
Technicians**
for
**Cribbing of
Approved JLG
Products**

3128168

May 25, 2004

WWW.JLG.COM

**CORPORATE OFFICE
JLG INDUSTRIES, INC.
1 JLG Drive
McConnellsburg, PA.
17233-9533
USA
Phone: (717) 485-5161
Fax: (717) 485-6417**

CALIFORNIA PROPOSITION 65 BATTERY WARNING

**Battery posts,
terminals and related
accessories contain
lead and lead compounds,
chemicals known to the
State of California
to cause cancer and
reproductive harm.**

**WASH HANDS
AFTER HANDLING !**



WARNING:



**The engine exhaust from this product
contains chemicals known to the State
of California to cause cancer, birth
defects, or other reproductive harm.**

1702961

JLG Industries (Australia)
P.O. Box 5119
11 Bolwarra Road
Port Macquarie
N.S.W. 2444
Australia
Phone: (61) 2 65 811111
Fax: (61) 2 65 810122

JLG Industries (UK)
Unit 12, Southside
Bredbury Park Industrial Estate
Bredbury
Stockport
SK6 2sP
England
Phone: (44) 870 200 7700
Fax: (44) 870 200 7711

JLG Deutschland GmbH
Max Planck Strasse 21
D-27721 Ritterhude/Ihlpohl
Bei Bremen
Germany
Phone: (49) 421 693 500
Fax: (49) 421 693 5035

JLG Industries (Italia)
Via Po. 22
20010 Pregnana Milanese - MI
Italy
Phone: (39) 02 9359 5210
Fax: (39) 02 9359 5845

JLG Latino Americana Ltda.
Rua Eng. Carlos Stevenson,
80-Suite 71
13092-310 Campinas-SP
Brazil
Phone: (55) 19 3295 0407
Fax: (55) 19 3295 1025

JLG Europe B.V.
Jupiterstraat 234
2132 HJ Foofdorp
The Netherlands
Phone: (31) 23 565 5665
Fax: (31) 23 557 2493

JLG Industries (Norge AS)
Sofeimyrveien 12
N-1412 Sofienyr
Norway
Phone: (47) 6682 2000
Fax: (47) 6682 2001

JLG Polska
Ul. Krolewska
00-060 Warszawa
Poland
Phone: (48) 91 4320 245
Fax: (48) 91 4358 200

JLG Industries (Europe)
Kilmartin Place,
Tannochside Park
Uddingston G71 5PH
Scotland
Phone: (44) 1 698 811005
Fax: (44) 1 698 811055

JLG Industries (Pty) Ltd.
Unit 1, 24 Industrial Complex
Herman Street
Meadowdale
Germiston
South Africa
Phone: (27) 11 453 1334
Fax: (27) 11 453 1342

Plataformas Elevadoras
JLG Iberica, S.L.
Trapadella, 2
Pl. Castellbisbal Sur
08755Castellbisbal
Spain
Phone: (34) 93 77 24700
Fax: (34) 93 77 11762

JLG Industries (Sweden)
Enkopingsvagen 150
Box 704
SE - 175 27 Jarfalla
Sweden
Phone: (46) 8 506 59500
Fax: (46) 8 506 59534

FOREWORD

This manual is a very important tool! Keep it with the machine at all times.

The purpose of this manual is to provide owners, users, operators, lessors, and lessees with the precautions and operating procedures essential for the safe and proper machine operation for its intended purpose.

Due to continuous product improvements, JLG Industries, Inc. reserves the right to make specification changes without prior notification. Contact JLG Industries, Inc. for updated information.

SAFETY ALERT SYMBOLS AND SAFETY SIGNAL WORDS



This is the Safety Alert Symbol. It is used to alert you to the potential personal injury hazards. Obey all safety messages that follow this symbol to avoid possible injury or death

⚠ DANGER

INDICATES AN IMMINENTLY HAZARDOUS SITUATION. IF NOT AVOIDED, WILL RESULT IN SERIOUS INJURY OR DEATH. THIS DECAL WILL HAVE A RED BACKGROUND.

⚠ WARNING

INDICATES A POTENTIALITY HAZARDOUS SITUATION. IF NOT AVOIDED, COULD RESULT IN SERIOUS INJURY OR DEATH. THIS DECAL WILL HAVE AN ORANGE BACKGROUND.

⚠ CAUTION

INDICATES A POTENTIALITY HAZARDOUS SITUATION. IF NOT AVOIDED, MAY RESULT IN MINOR OR MODERATE INJURY. IT MAY ALSO ALERT AGAINST UNSAFE PRACTICES. THIS DECAL WILL HAVE A YELLOW BACKGROUND.

IMPORTANT

INDICATES PROCEDURES ESSENTIAL FOR SAFE OPERATION. THIS DECAL WILL HAVE A GREEN BACKGROUND.

⚠ WARNING

THIS PRODUCT MUST COMPLY WITH ALL SAFETY RELATED BULLETINS. CONTACT JLG INDUSTRIES, INC. OR THE LOCAL AUTHORIZED JLG REPRESENTATIVE FOR INFORMATION REGARDING SAFETY-RELATED BULLETINS WHICH MAY HAVE BEEN ISSUED FOR THIS PRODUCT.

IMPORTANT

JLG INDUSTRIES, INC. SENDS SAFETY RELATED BULLETINS TO THE OWNER OF RECORD OF THIS MACHINE. CONTACT JLG INDUSTRIES, INC. TO ENSURE THAT THE CURRENT OWNER RECORDS ARE UPDATED AND ACCURATE.

IMPORTANT

JLG INDUSTRIES, INC. MUST BE NOTIFIED IMMEDIATELY IN ALL INSTANCES WHERE JLG PRODUCTS HAVE BEEN INVOLVED IN AN ACCIDENT INVOLVING BODILY INJURY OR DEATH OF PERSONNEL OR WHEN SUBSTANTIAL DAMAGE HAS OCCURRED TO PERSONAL PROPERTY OR THE JLG PRODUCT.

FOR:

- Accident Reporting
- Product Safety Publications
- Current Owner Updates
- Questions Regarding Product Safety
- Standards and Regulations Compliance Information
- Questions Regarding Special Product Applications
- Questions Regarding Product Modifications

CONTACT:

Product Safety and Reliability Department
JLG Industries, Inc.
1 JLG Drive
McConnellsburg, PA 17233

In USA:

Toll Free: 877-JLG-SAFE
877-554-7233

Outside USA:

717-485-5161

E-mail: ProductSafety@JLG.com

REVISION LOG

Original Issue - May 25, 2004

TABLE OF CONTENTS

SUBJECT - SECTION, PARAGRAPH	PAGE NO.
SECTION - FOREWORD	
SECTION 1 - SAFETY PRECAUTIONS	
1.1 General	1-1
1.2 Approved Models	1-1
1.3 Safety Precautions	1-1
SECTION 2 - WORKPLACE INSPECTION	
2.1 Workplace Inspection	2-1
Observe and Obey:	2-1
SECTION 3 - CONSTRUCTION SPECIFICATIONS AND USE	
3.1 Construction Specifications	3-1
3.2 Instructions For Use	3-1

This page intentionally left blank

SECTION 1. SAFETY PRECAUTIONS

1.1 GENERAL

This Manual was prepared for Authorized and Trained Studio Technicians for the cribbing of approved JLG Products. This manual contains requirements that must be followed by trained studio technicians in order to perform this function.

⚠ WARNING

STRICT COMPLIANCE WITH THIS SUPPLEMENTAL MANUAL AS WELL AS THE OPERATORS MANUAL FOR THE SPECIFIC MODEL, ALONG WITH ANY TRAINING REQUIRED BY THE UNION/STUDIO IS NECESSARY FOR THE SAFE OPERATION OF THIS MACHINE.

1.2 APPROVED MODELS

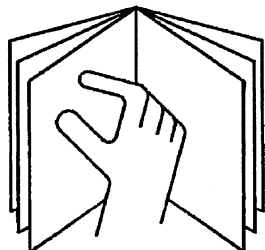
40H	400S
400SJ	450A
450AJ	600A
600AJ	600S
600SJ	660SJ
800A	800AJ
80HX	800S
800SJ	

1.3 SAFETY PRECAUTIONS

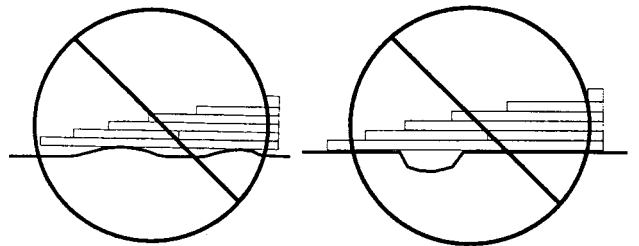
⚠ DANGER

FAILURE TO READ, UNDERSTAND AND OBEY ALL WARNINGS AND INSTRUCTIONS PROVIDED IN THIS MANUAL AND THE APPROPRIATE OPERATOR'S MANUAL WILL RESULT IN DEATH OR SERIOUS INJURY.

- Do not operate this machine until complete training is performed by authorized persons.
- Read and understand this manual and the Operators Manual for the specific machine model before operating the machine.



- Be sure that the ground conditions are able to support the maximum load shown on the decals located on the frame of the machine.
- Do not raise the platform or drive from an elevated position unless the machine is on firm, level surfaces and evenly supported.
- Do not use cribbing that is not built to the specifications outlined in this manual.
- Operators must be trained in the safe use of aerial lifts on cribbing, using the information contained in this manual, and in the applicable Operation and Safety Manual for the particular JLG Product.
- Do not use cribbing on any JLG products other than those models approved in this manual.
- Do not use cribbing on a surface that is not firm (capable of supporting the weight of the machine without cribbing).
- Do not crib machines that are on a slope greater than 5° (9%).
- Do not raise the platform above horizontal unless the machine has been leveled with the cribbing.
- Do not drive the machine on cribbing with the platform raised.
- Do not use cribbing over a hole, depression or bump in the supporting surface.



- Do not raise the platform when wind speeds may exceed 15 mph.

This page intentionally left blank

SECTION 2. WORKPLACE INSPECTION

2.1 WORKPLACE INSPECTION

Observe and Obey:

Read, understand and obey the instructions and hazards in the Workplace Inspection section of the operator's manual on your machine.

Conduct a workplace inspection prior to constructing and using cribbing to determine if the site is suitable for safe machine operation.

The workplace must be inspected before each use to determine if any changes have occurred that could affect the safe operation of the machine.

Be aware of and avoid the following hazardous situations when using cribbing:

- unstable surfaces that could shift under cribbing
- surfaces that cannot support the cribbing (refer to the ground bearing pressure specifications in the applicable Service Manual)
- slippery surfaces that could cause cribbing to slide or skid
- sloped surfaces of greater than 6 degrees
- drop-offs or holes
- raised ground, bumps or uneven surfaces

This page intentionally left blank

SECTION 3. CONSTRUCTION SPECIFICATIONS AND USE

3.1 CONSTRUCTION SPECIFICATIONS

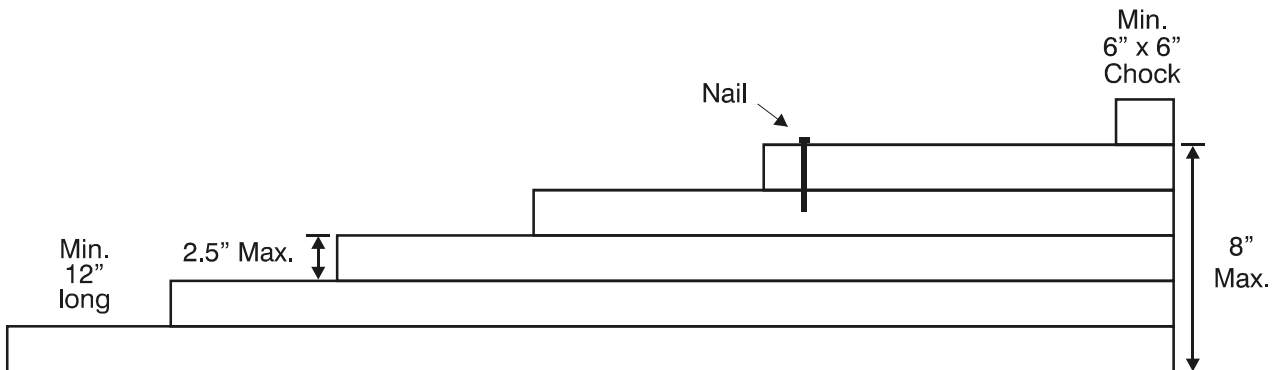
- Cribbing is to be constructed from APA certified plywood sheets.
- Each plywood sheet must be a minimum of 3/4 inch thick.
- Each plywood sheet must be a minimum of 24 inches by 24 inches.
- Plywood sheets must be layered together with a minimum of 24 inches of overlap for joints.
- Layers are to be secured with 6D ring shank nails, placed a minimum of 8 inches OC edge and 12 inches OC face. Use 8d ring shank nails for plywood over 1 1/8 inches thick.
- Each end of the cribbing is to have a chock that extends the full width of the cribbing. The chock must be a minimum of 6 inches by 6 inches.
- Ramps are to be constructed in a series of steps. Each step shall be a minimum of 12 inches long.
- The maximum total ramp height shall not exceed 8 inches.
- Make sure that machine wheels have a 24 inch surface to rest on when the platform is elevated.
- Cribbing must not be constructed to accommodate turns or curves.
- Cribbing must be constructed so that no machine tire is more than 8 inches off the ground at any time.
- Check the cribbing material for cracks, pitch pockets, dry rot, or knots which can weaken the wood and cause uneven compression. Do not use any wood which may compress unusually.

3.2 INSTRUCTIONS FOR USE

1. Make sure you are properly trained in the use of aerial lifts on cribbing, using the information provided in this manual.
2. Make sure the JLG aerial work platform has been modified with a DRIVE/STEER DISABLE lock-out switch that disables the drive/steer function. This switch will be located on or near the ground controls, depending on the model of your machine.

NOTE: *If the machine does not have a lock-out switch, contact the JLG Product Safety and Reliability Department to order a switch installation kit.*

3. Place the cribbing on a surface that complies with the requirements of this manual and the illustration below.
4. With the machine in the stowed position, drive onto the cribbing. The base of the machine must be level on the cribbing. Both tires must be centered upon the cribbing, not off to one side.
5. Move the DRIVE/STEER DISABLE switch to lock out the drive/steer function.
6. Operate the machine lift function according to the instructions in the appropriate operator's manual.



Minimum 24" overlap
between joints in panels

SECTION 3 - CONSTRUCTION SPECIFICATIONS AND USE

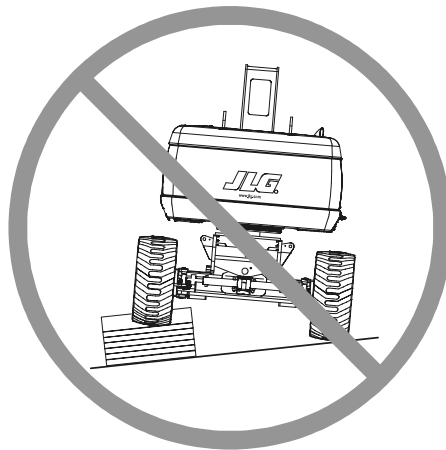
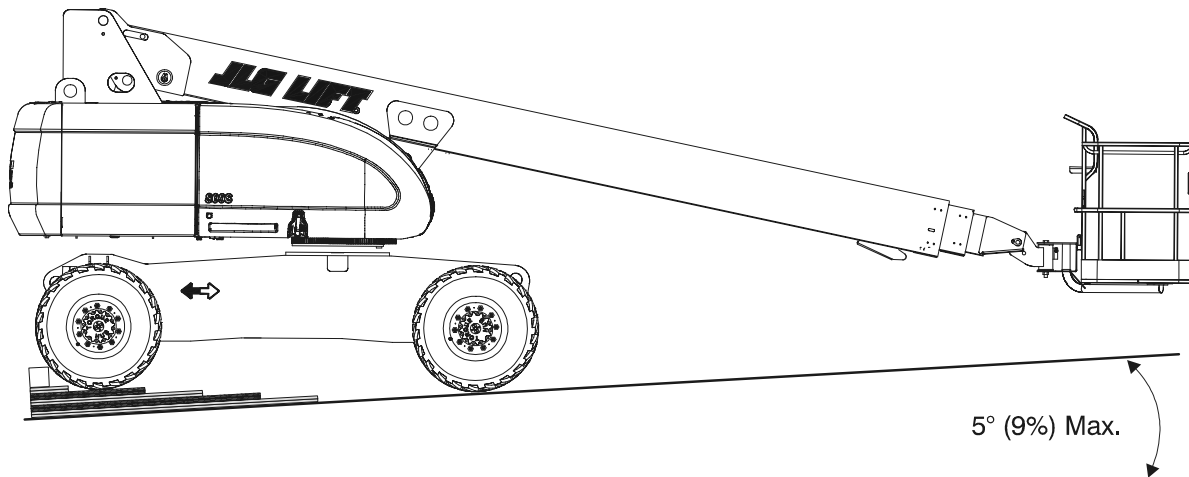


Table 3-1. Maximum Allowable Angle for Cribbing 8" High*

Model	Wheelbase (inches)	Degrees
40H	92.4	4.94
400S/400SJ	92	4.96
450A/450AJ	78	5
600A/600AJ	96	4.76
600S/600SJ/660SJ	97	4.71
800A/800AJ	120	3.81
80HX	120	3.81
800S/860SJ	120	3.81

* NOTE: Maximum allowable cribbing height is 8 inches.